

**BMW Extended Camera Emulator for PCM HeadUnit
SW Ver 1.28.2X**

Iss. 1
2014

1. Designation

The module is designed for installation in the Porsche head unit PCM 3.1 and the emulation of rear view camera module. Module puts on rear view camera image markup indicating the trajectory of the vehicle depending on the steering angle (hereinafter - **the parking lines**).

2. Description

Design of the module and its pins are shown on the picture 1.

Module analyses data bursts from CAN bus. If PDC unit is installed module activated synchronously with it. If PDC is not installed module active when engaging to the rear gear or when rear view camera is activated from HU menu. "RCam ON" output activated when module becomes active.

Module has 8 jumpers for switching on and off for additional options. The function of switching is shown in the Table 1. You can find recommended positioning of the jumpers are shown in the list 2.

Table 1

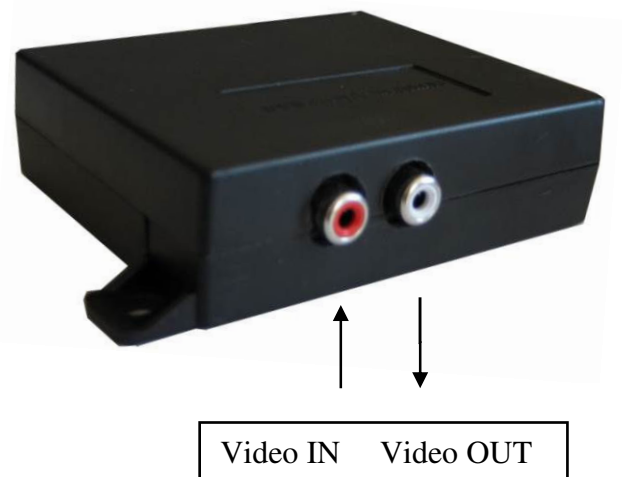
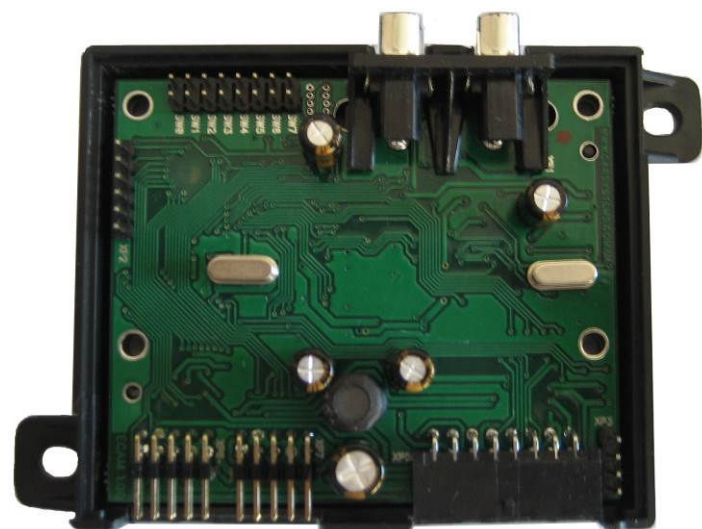
State	SW0	SW1	SW2	SW3	SW4	SW5	SW6	SW7
ON	(must be set)	Video in motion is on						
OFF		Video in motion is off						

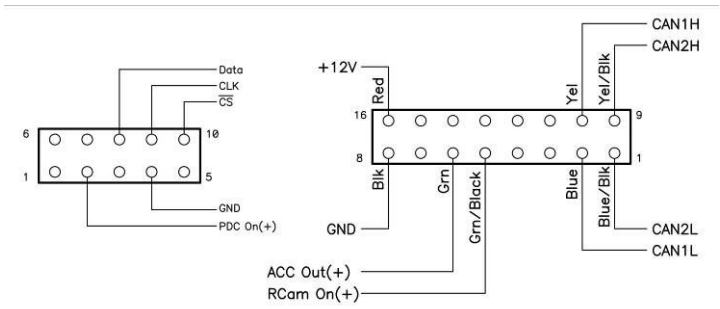
Module has also output "ACC Out" for the controlling of the external relay. Output is activated when key switched to the position ON.

3. Connection

Module has to be connected into CAN bus of the car directly at the connector 3 of the head unit. If rear camera is present module connected to the video gap (between the camera and the head unit).

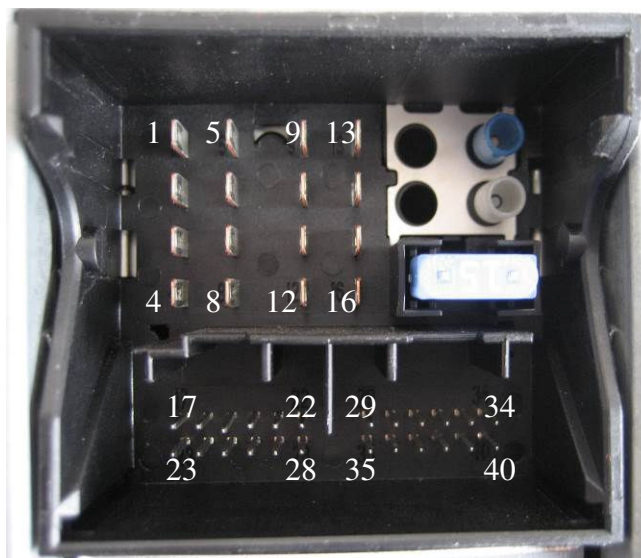
Circuit coupling depends on the car modification. On the pic 4 you'll see the most typical connection. Numbering of pin X and Y depends on car complication. Possible combinations you can find on the table 4.



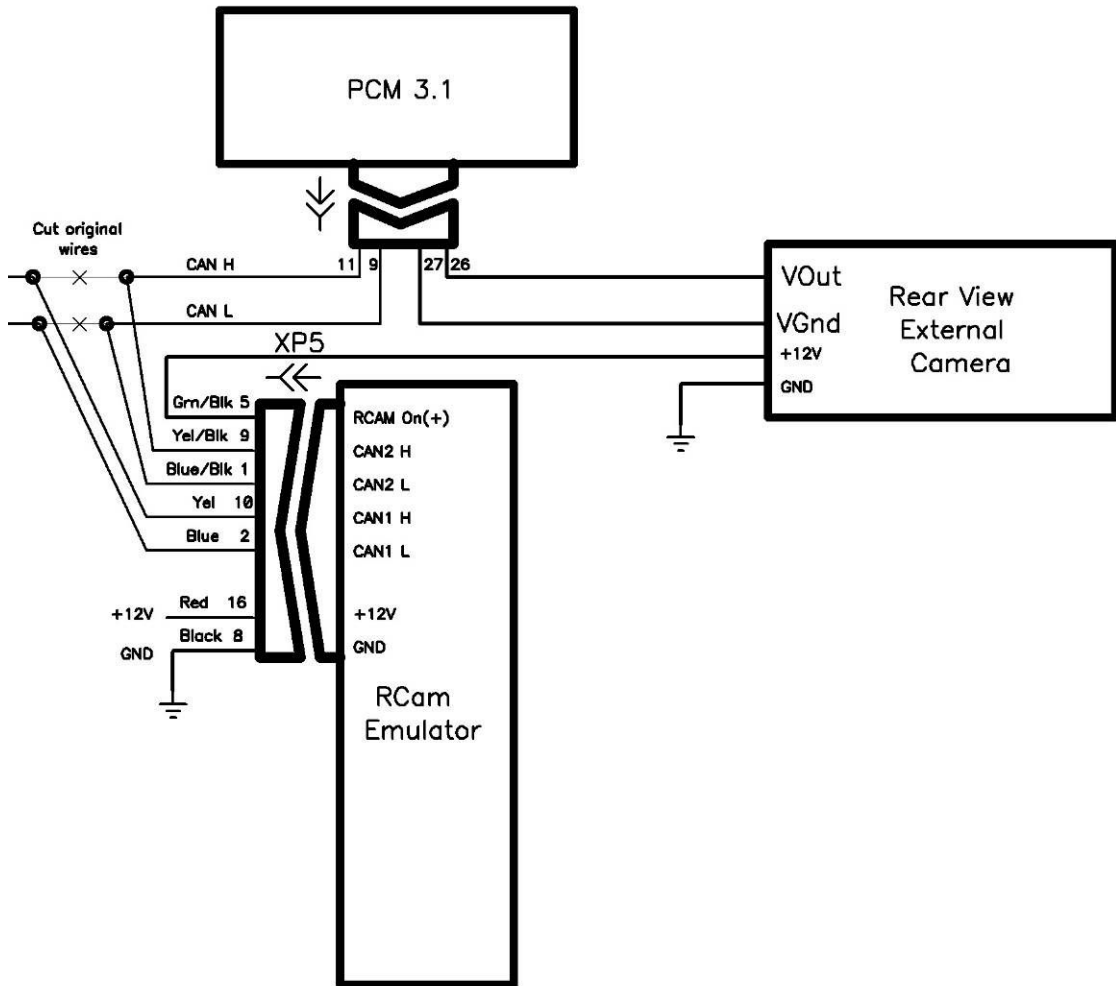


Pic. 1 Design and pins of the module

For correct functioning with the head unit of the car you need to code head unit with the following options like it is shown in the table 4.



Pic 3. Pin of the connecting plug for head unit



Pic 4. Typical connecting diagrams of the module