

# **BMW Fxx CIC/NBT CAMERA Emulator**

Software Version 4.03.03

User and installation manual

Revision 4            11/2015



**READ THIS INSTALLTION MANUAL CAREFULLY BEFORE YOU START!**

It is strongly recommended to perform this installation by using services of installer with appropriate knowledge and experience in automotive electronics. Installation should be performed with disconnected battery due to safety reasons.

**2015**

**[www.carsystems.com.ua](http://www.carsystems.com.ua)**

## Table of contents

<b>Description</b>	<b>3</b>
<b>Appendix A</b> [HeadUnit video input variants]	<b>5</b>
<b>Appendix B</b> [Typical connection with HU CIC F01, F02, F10, F13, F25]	<b>6</b>
<b>Appendix C</b> [Typical connection with HU CIC F30, HU NBT]	<b>7</b>
<b>Appendix D</b> [ZGW design and pinout]	<b>8</b>

### Designation

This module is designed for installation on BMW Fxx cars with head unit HU CIC/HU NBT for emulation of TRSVC control unit. In case if the car is not equipped with PDC module emulates functioning of PDC.

### Description

Module has 8 switches for switching on and off additional functions. Switches designation are shown in the Table 1..

Table 1 Switches designation

	Opened	Closed
SW0..SW6		
SW7	Front View Camera Off	Front View Camera On

Module can be issued with the software version which supports external parktronic PTS400M6 (SteelMate). If the PDC is not installed then its emulation will be switched on automatically. Data from external parktronic will be translated to HeadUnit. Wiring diagram for connection external parktronic is shown in Appendix E. Design of PTS400M6 and its pinout are shown on the Fig 3. Module also can be issued with cable and plug for connection to the plug X1 of the parktronic. Module has also output “ACC Out” for controlling an external relay. Output is activated when key switched to the ON position.

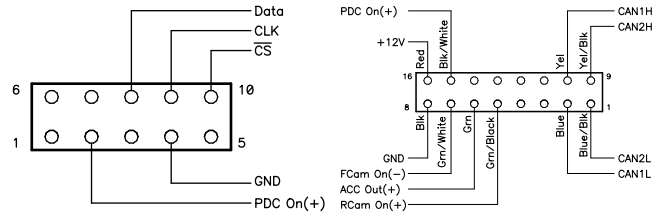
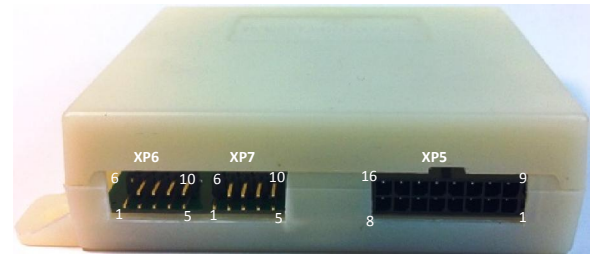
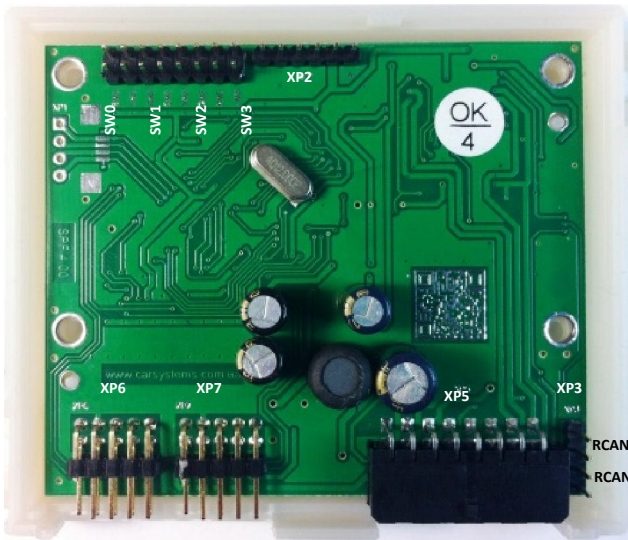


Fig 1 Design and pinout of the module



**For correct functioning HeadUnit and PDC (if present) must be coded with the following options (in the Table 4).**

Table 2 Required options for the correct operation

Option PDC	Option for HU
508	3AG

## Appendix A

Table 3 Possible variants of rear camera connection to the HeadUnit

	VideoIn(X)	VideoGround(Y)
HU CIC variant 1	18	28
HU CIC variant 2	19	26
HU CIC variant 3	21	24
HU NBT	21	24

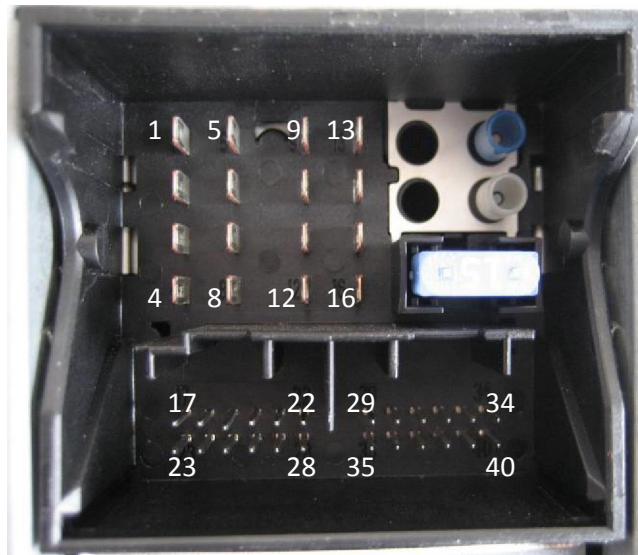


Fig 2 Pinout of the connecting plug for head unit CIC/NBT



Fig 3 Design of external control unit PTS400M6

### Appendix B

X, Y according to the Table 3

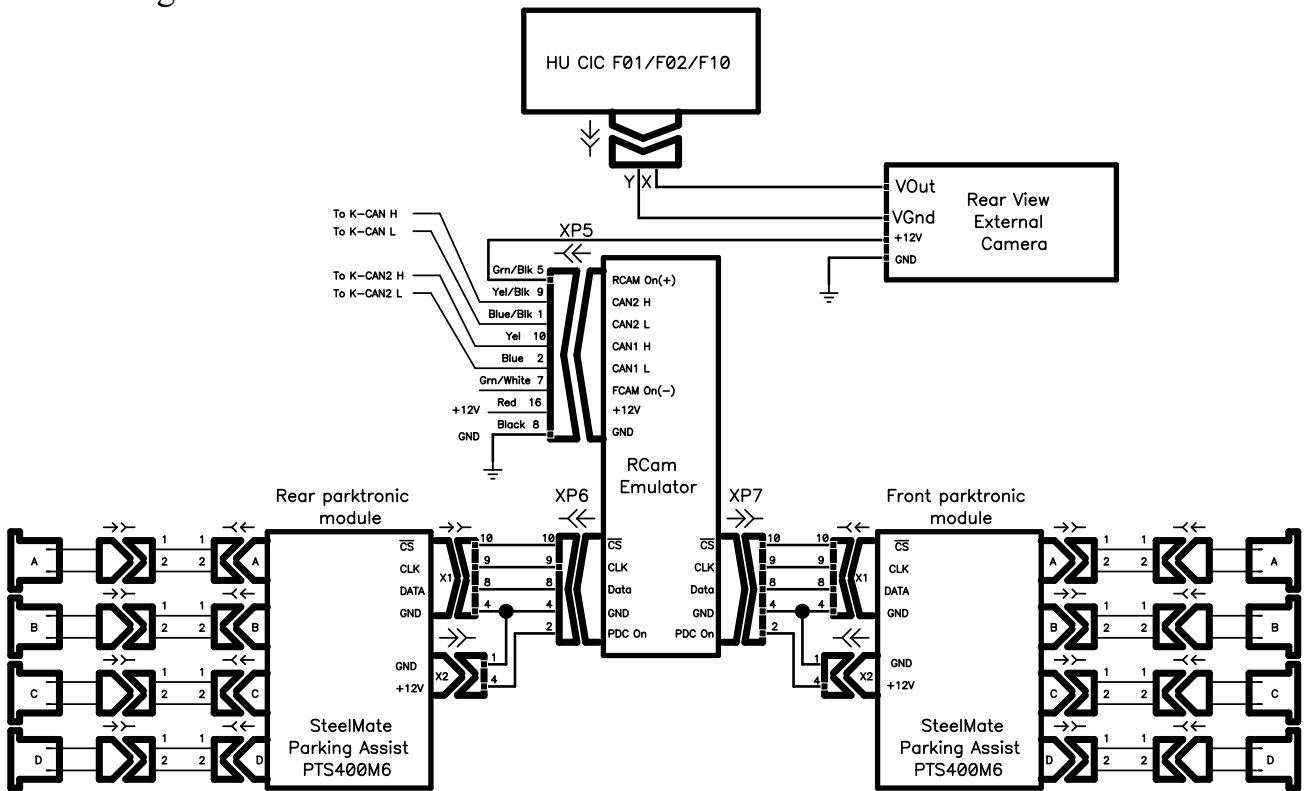


Fig 4a Typical wiring diagram of the module with HU CIC F01, F02, F10, F13, F25.

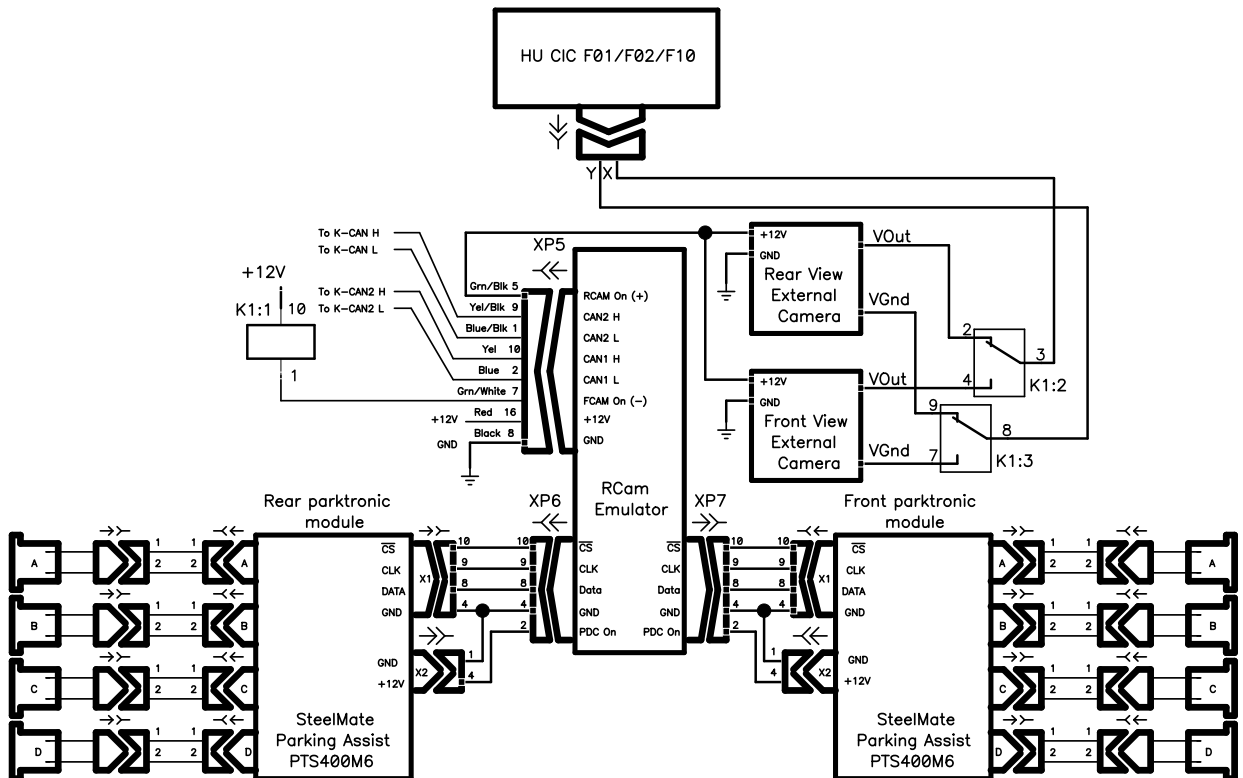


Fig 4b Typical wiring diagram of the module with HU CIC F01, F02, F10, F13, F25 with Front View Camera

### Appendix C

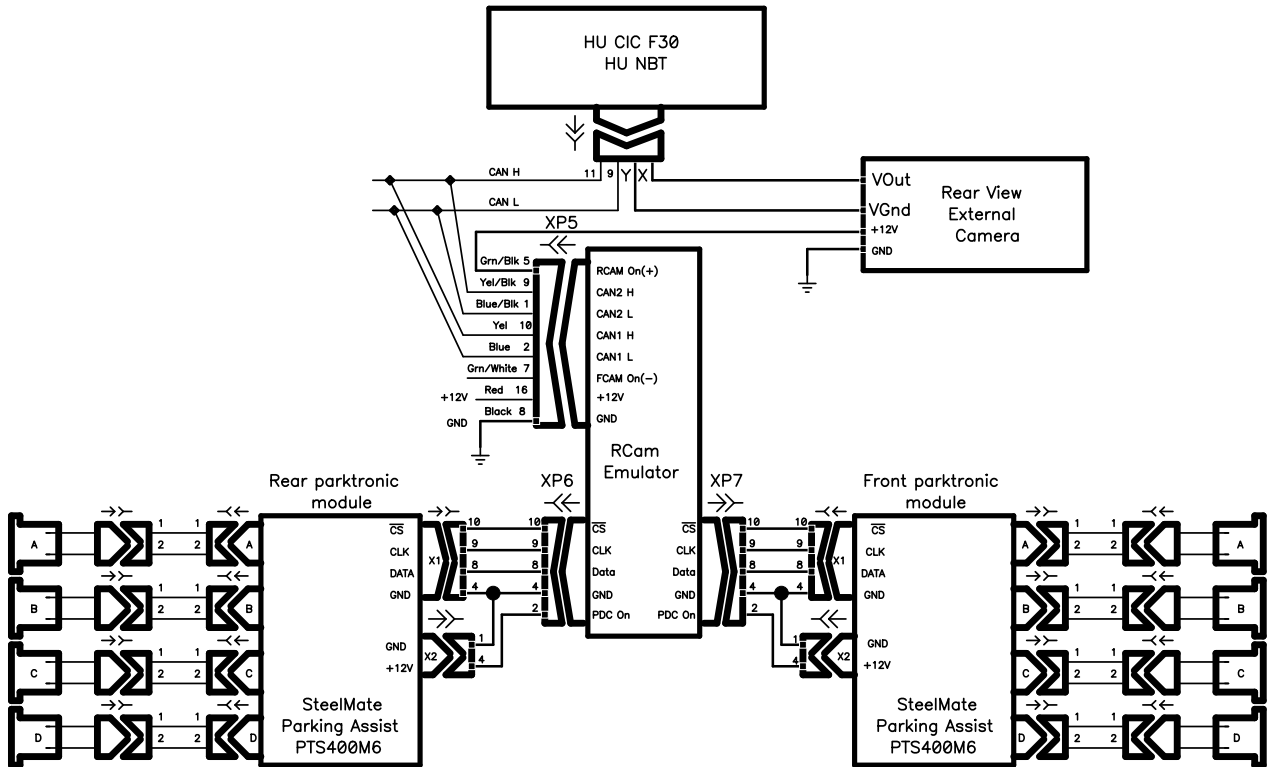


Fig 4c Typical wiring diagram of the module with CIC F30, NBT

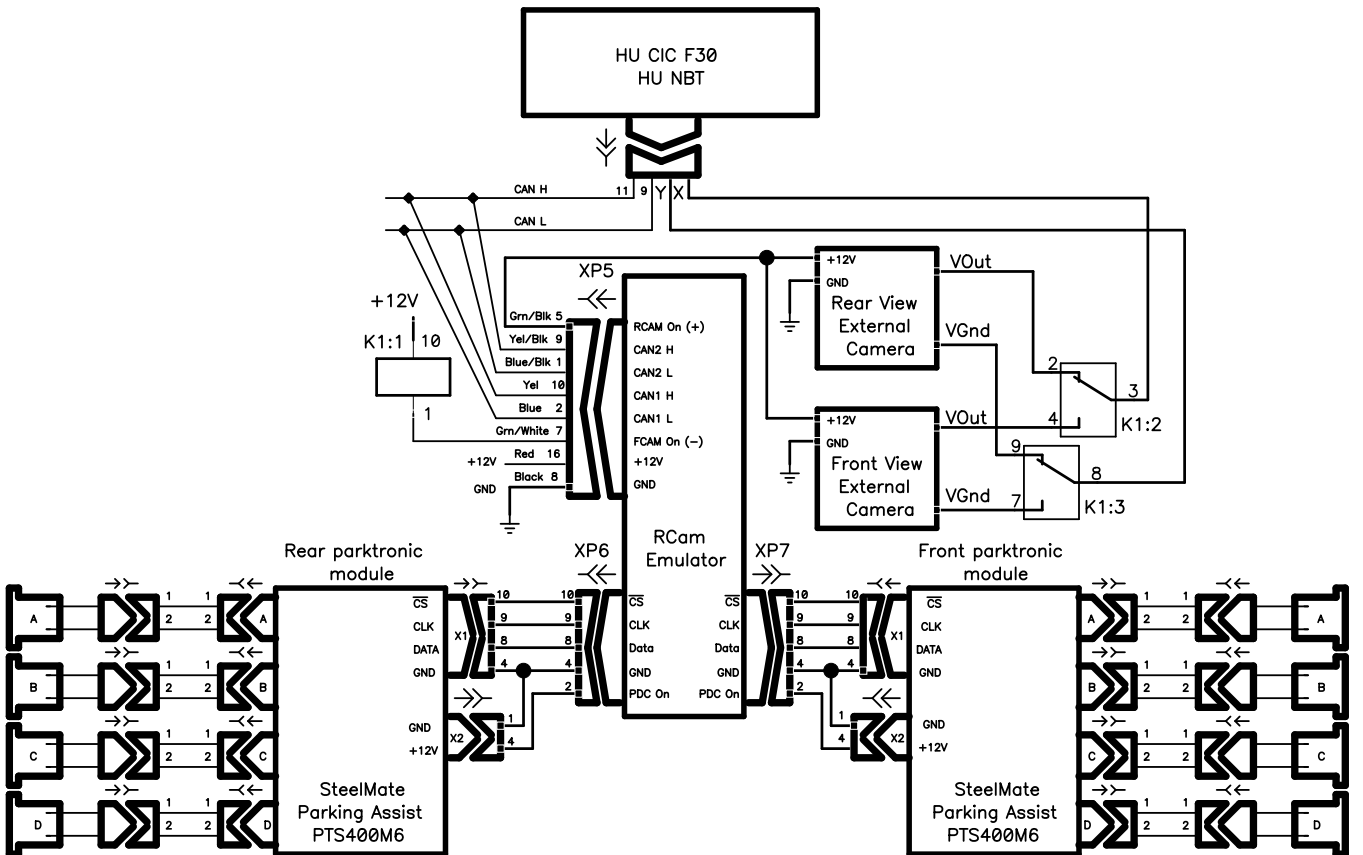


Fig 4d Typical wiring diagram of the module with CIC F30, NBT

with Front View Camera

## Appendix D



Fig 5 ZGW design and pinout

Table 4 ZGW pinout

Pin#	Name	Color
50	K-CAN H	Orange/Green
51	K-CAN L	Green
48	K-CAN2 H	Yellow/Red
49	K-CAN2 L	Yellow/Brown
39	+12V	Red/Blue
19	GND	Brown/Black