

BMW Exx CIC CAMERA Emulator

Software Version 4.07.xx

User and installation manual

Revision 5 11/2015



READ THIS INSTALLTION MANUAL CAREFULLY BEFORE YOU START!

It is strongly recommended to perform this installation by using services of installer with appropriate knowledge and experience in automotive electronics. Installation should be performed with disconnected battery due to safety reasons.

2015

www.carsystems.com.ua

Table of contents

Description	3
Connection	3
Appendix A [HeadUnit video input variants]	8
Appendix B [Typical connection]	9
Appendix C [Typical connection with Front View Camera]	10
Appendix D [External parktronic design and pinout]	11

Designation

This module is designed for installation on BMW Exx cars with head unit HU CIC for emulation of TRSVC control unit. In case if the car is not equipped with PDC module emulates functioning of PDC.

Description

Module has 8 switches for switching on and off additional functions. Switches designation are shown in the Table 1. You can find recommended switches configuration are shown in the Table 2.

Module has the function of cyclic activation of the image RVC on the display of HU with the multifunctional “Star” button on the right side of the steering wheel.

In case of press and hold (more than 1 second) of this button, HU screen will change to the signal from RVC.

After repeated long pressing (more than 1 second) of the button:

- if **SW7** is not set screen will be switched to the board computer (BC) of the car
- if **SW7** is set FCamON output will be activated and screen will stay in external video mode. Next long pressing will cause switching to the BC of the car.

Table 1 Switches designation

State	SW0	SW1*	SW2	SW3	SW4	SW5	SW6	SW7
ON	Video in motion on	Navi activation is on	Old parktronic protocol conversion is on (E90**)	Parktronic emulation for new model is on (E70, E84, E90)	Parktronic emulation for old model is on (E60)	RVC Emulation is on (E70, E71, E84, E90**)	Special control mode for RVC emulation is on (E60)	FCamOn output enable
OFF	Video in motion off	Navi activation is off	Old parktronic protocol conversion is off	Parktronic emulation for new model is off	Parktronic emulation for old model is off	RVC emulation is off	Special control mode for RVC emulation is off	FCamOn output disable

* - for software versions with even minor numbers: 1.07.2, 1.07.4 and so on. For other versions switch is ignored.

** - for CIC E90, coded to work with rearview camera.

Note: should be set to one of three switches SW2, SW3 and SW4, and one of the two switches SW5 or SW6.

Table 2 Recommended switches configurations

Initial -> final configuration	SW0	SW1	SW2	SW3	SW4	SW5	SW6	SW7
E70 -> E70 + PDC	X	X	-	+	-	+	-	X
E70 -> E70 + PDC + TRSVC	X	X	-	+	-	+	-	X
E70 + PDC -> E70 + PDC + TRSVC	X	X	-	+	-	+	-	X
E90 -> E90 + PDC	X	X	-	-	+	+	-	X
E90 -> E90 + PDC + TRSVC	X	X	-	+	-	+	-	X
E90 + PDC -> E90 + PDC + TRSVC	X	X	+	-	-	+	-	X
E60 -> E60 + PDC	X	X	-	-	+	+	-	X
E60 -> E60 + PDC + TRSVC	X	X	-	-	+	-	+	X
E60 + PDC -> E60 + PDC + TRSVC	X	X	-	-	+	-	+	X

“X” – can be any, **“-”** – opened, **“+”** – closed.

Module can be issued with the software version which supports external parktronic PTS400M6 (SteelMate). If the PDC is not installed then its emulation will be switched on automatically. Data from external parktronic will be translated to HeadUnit. Wiring diagram for connection external parktronic is shown on the Fig 4. Design of PTS400M6 and its pinout are shown on the Fig 2. Module also can be issued with cable and plug for connection to the plug X1 of the parktronic.

Module has also output “ACC Out” for controlling an external relay. Output is activated when key switched to the ON position.

In case user activates special option of controlling RVC for E60 (these cars has no RVC option from the factory) HeadUnit must be coded with NightVision (NiVi) option. Sequence of modes switching in E60 is shown in Table 3.

Table 3 Sequence of modes switching in special control mode

	Event	PDC installed	PDC is not installed
1	Rear gear	Turn on video from RVC, sound from PDC	Turn on of the image from RVC and emulation of PDC
2	Change to the other gear	Turn off video from RVC, image from PDC or board computer (BC)	Turn off of the video from RVC, image from BC
3	Continuous pressing of the "Star" button on the steering wheel	PDC state is not changed. Every press of the button changes image sources. (PDC or BC) -> (RVC) -> (PDC or BC) -> etc	PDC state is not changed. Every pressing of the button changes image sources. (PDC or BC) -> (RCV) -> (PDC or BC) -> etc
4	Pressing of the PDC button on the IHKA	Turn off video from RVC, image from PDC or board computer (BC)	Every pressing changes image sources 1 PDC 2 RVC, PDC only sound 3 BC

Connection

Module has to be connected into CAN bus of the car directly at the connector 3 of the head unit. If rear camera is present module connected to the video gap (between the camera and the head unit).

Typical connection is shown on Fig 4. X and Y pins numbers depends on car complication. Possible combinations you can find on the Table 4.

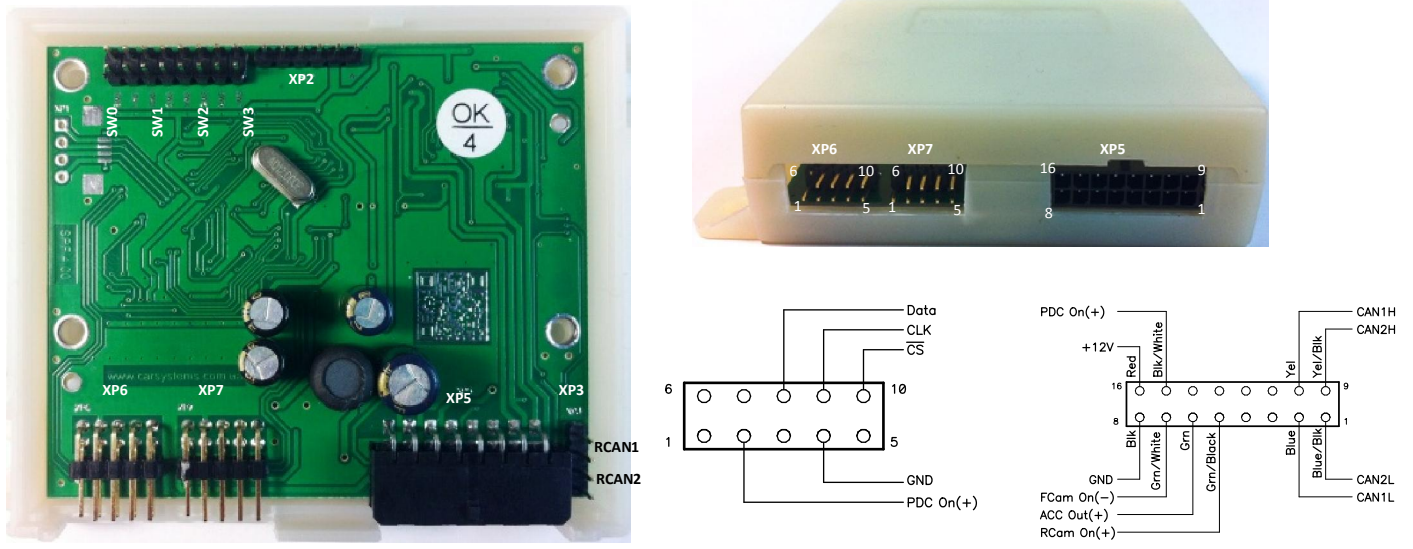


Fig 1 Design and pinout of the module



For correct functioning HeadUnit and PDC (if present) must be coded with the following options (in the Table 4).

Table 4 Required options for the correct operation

	Option for PDC	Option for CIC
E70, E71, E74	508	3AG
E90	508	
E60	508	

Appendix A

Table 5 Possible variants of rear camera connection to the HeadUnit CIC

	VideoIn(X)	VideoGround(Y)
variant 1	18	28
variant 2	19	26
variant 3	21	24
E90, E60	18	28

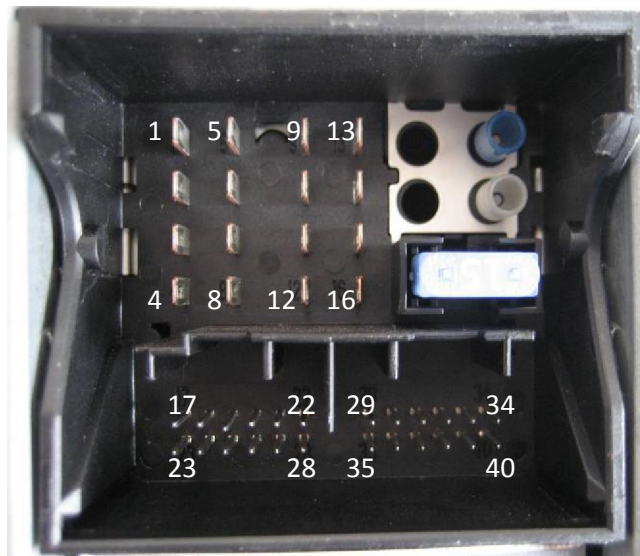


Fig 3 Pinout of the connecting plug for head unit CIC

Appendix B

X, Y according to the Table 5

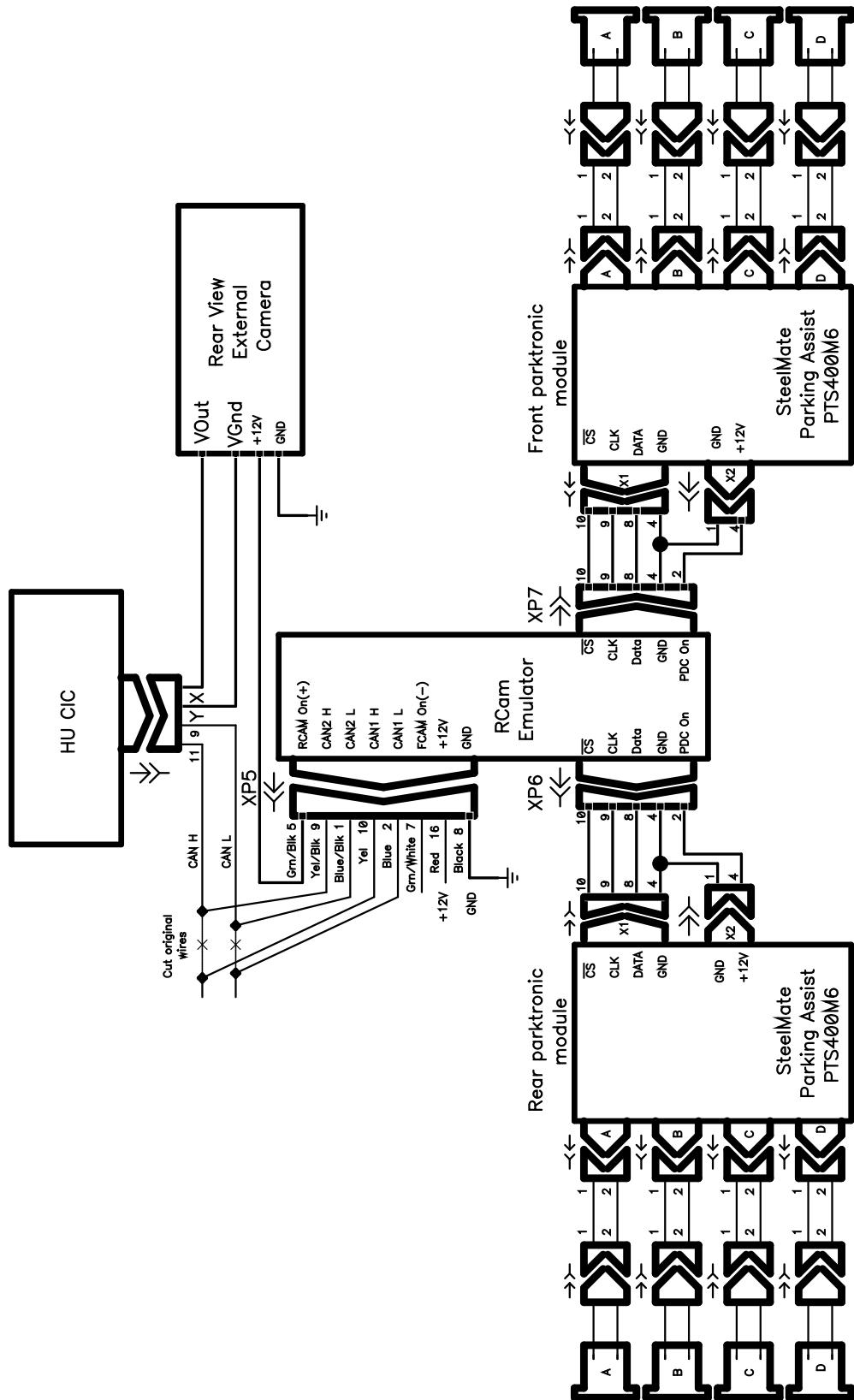


Fig 4a Typical wiring diagram of the module

Appendix C

X, Y according to the Table 5

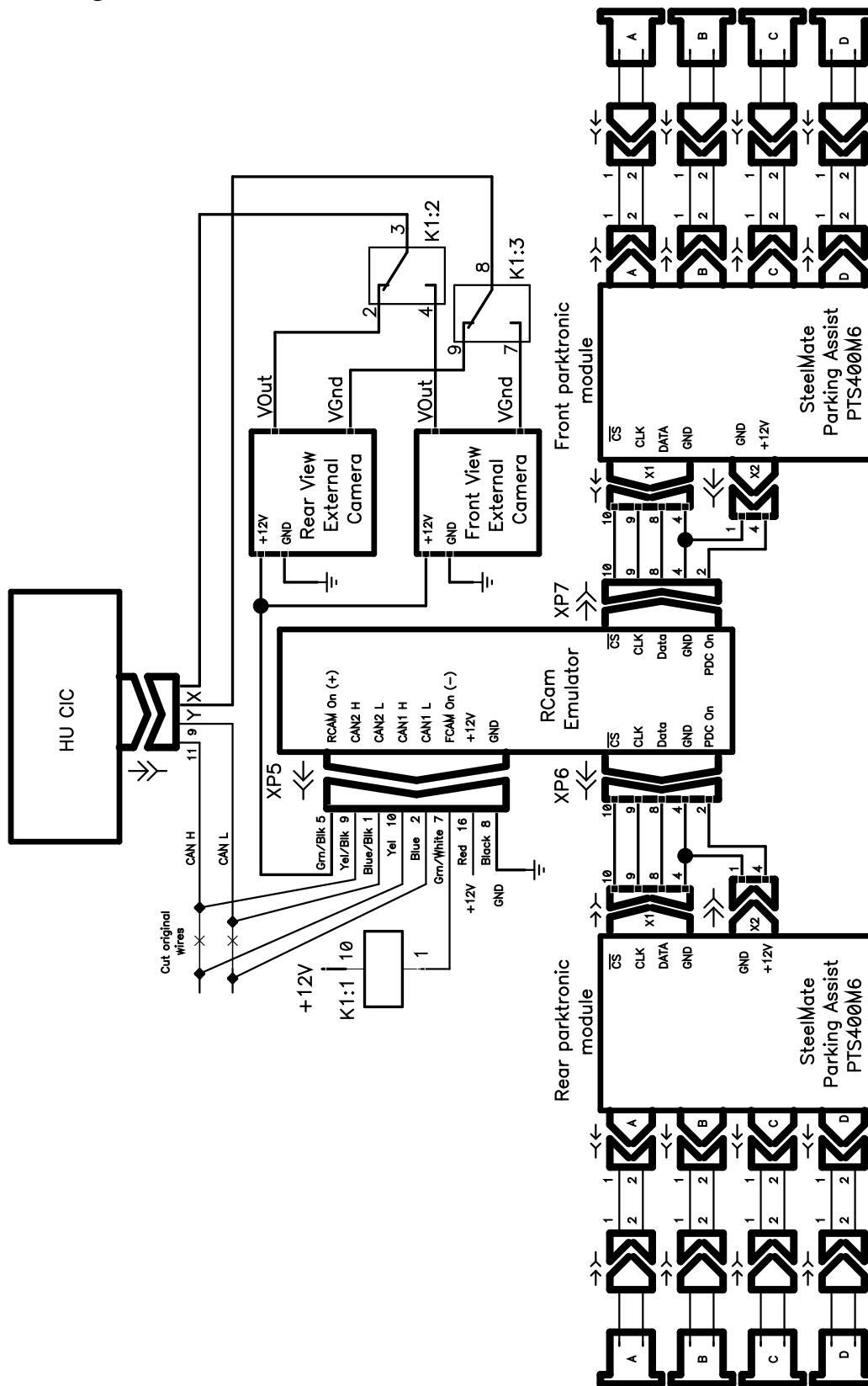


Fig 4b Typical wiring diagram of the module with Front View Camera

Appendix D



Fig 2 Design and pinout of external control unit PTS400M6

Notes

Notes

Notes

Notes

