

Designation

FXX MOST navi activator module (the module) is designed for installation in BMW F01, F10, F25 cars when installing or replacing head unit CIC. The module intended for activation navigation and voice control features.

Connection

Design of the module and its connector pinout is shown on Figure 1. Module is powered from vehicle on-board 12V DC voltage network. The module is connected to the MOST bus between gateway (ZGW) and other ECUs. Module should be connected to the optical ring as shown on Figure 2.



Figure 1. Module design

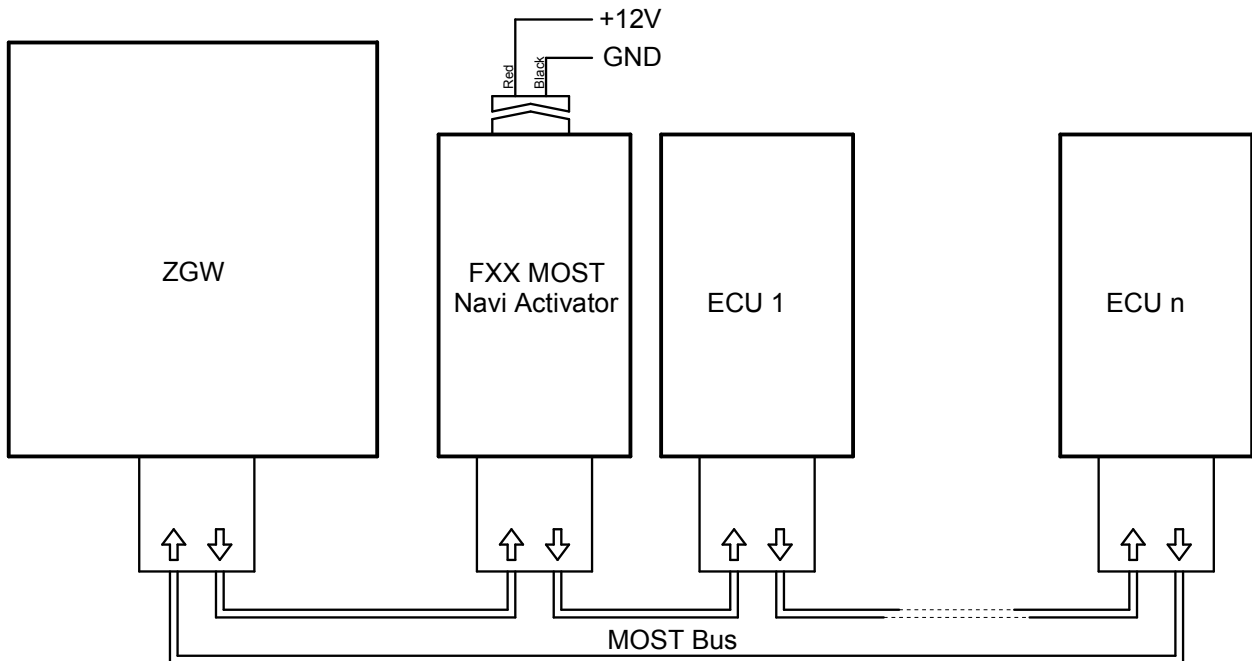


Figure 2. Recommended MOST Configuration